

INTU FR GRILLE DS

Intumescent FR grille for doors

TDS TECHNICAL DATA SHEET



INTU FR GRILLE DS

Intumescent FR grille for doors

TDS TECHNICAL DATA SHEET

→ PRODUCT DESCRIPTION

Firestop ventilation grilles **INTU FR GRILLE DS** are made from material that expands under the influence of high temperature. Intumescent inserts close the ventilation holes during a fire, preventing the spread of flame and smoke.

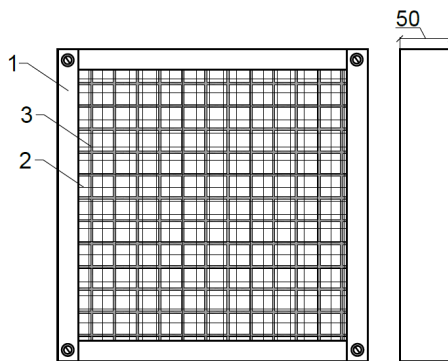
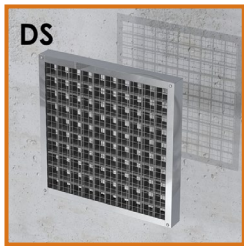
- fire resistance up to 60 minutes
- air flow up to 80%
- maximum dimensions single rectangular grille 1000 x 1000 [mm]
- not standard sizes

→ APPLICATION

INTU FR GRILLES DS are installed in the ventilation holes in doors. The material swelling during a fire fills the hole completely, preventing flame and smoke from entering adjacent rooms.



→ AVAILABILITY



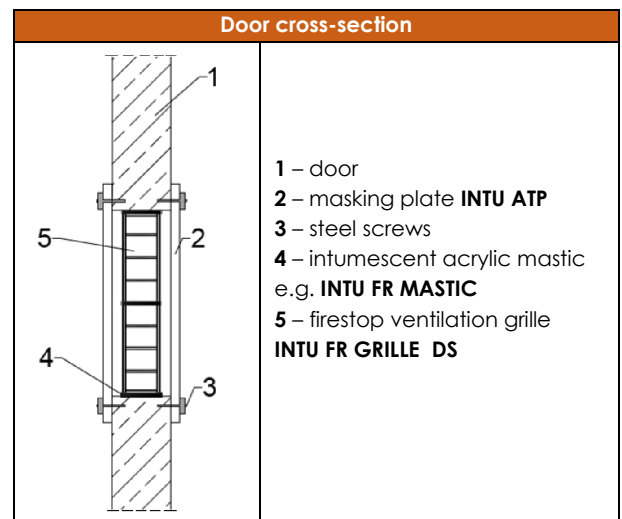
1 – metal casing, 2 – steel wire mesh, 3 – intumescent insert

INTU FR GRILLE DS	
Dimensions	100 x 100 mm ÷ 1000 x 1000 mm
Thickness	50 mm
Fire resistance	Max. EI 60

→ INSTALLATION METHOD

1. Adjust the size of the grille to the size of the hole.
2. Apply a small amount of intumescent acrylic mastic (e.g. **INTU FR MASTIC**) to the grille along its edge.
3. Push the grille into the hole.
4. Fill the remaining gaps and cavities with intumescent acrylic mastic (e.g. **INTU FR MASTIC**).
5. Fasten the masking plates (e.g. **INTU ATP**) on both sides of the partition using steel screws.

→ SOLUTION DETAIL



→ COMPLIANCE

- *Technical Assessment:*
00518/25/ZOONZP of 14/01/2025
- *Declaration of Performance:*
DoP 3/2025

→ TRANSPORT AND STORAGE

Store in dry and cool conditions at temperatures between +5°C and +35°C.